

# Irritrol® SYSTEMS

## Junior DC

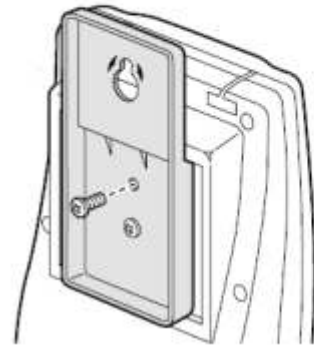
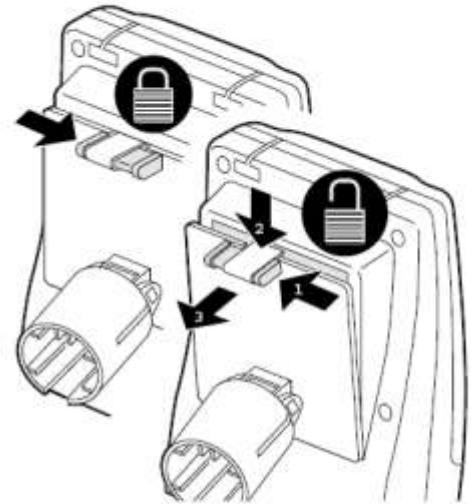
1 2

( . ).

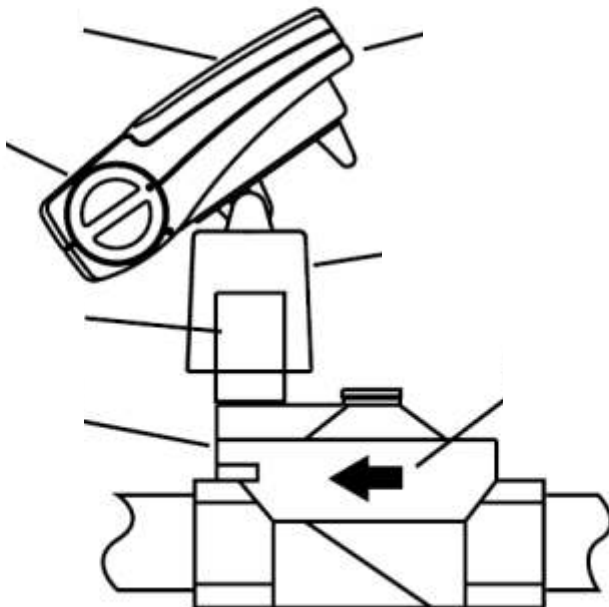
:

“ ” ’

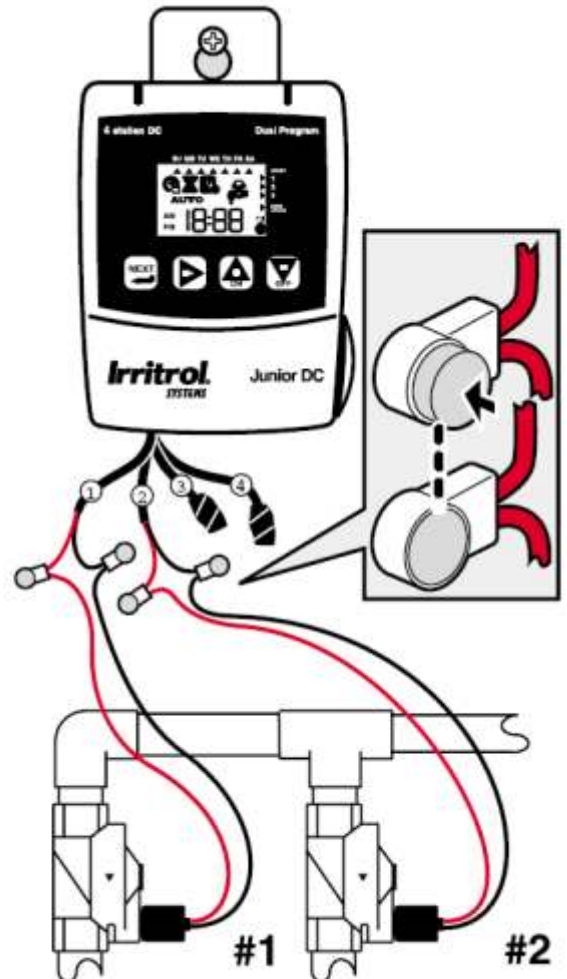
9

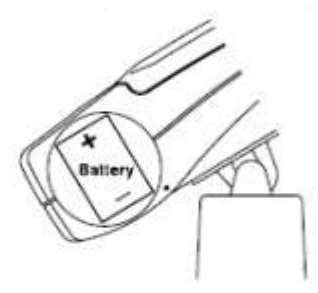
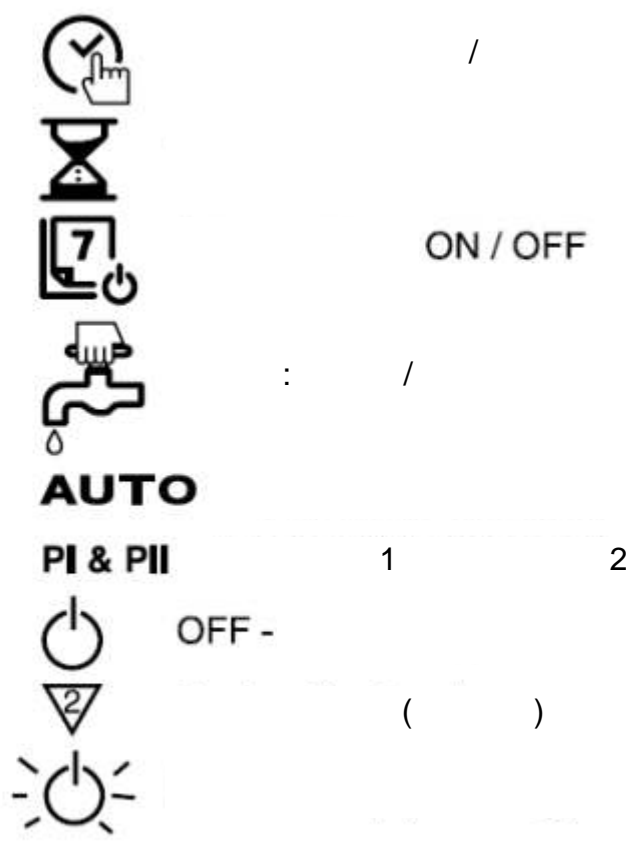


2-



1





- 1
- 2
- 3



“SET TIME/DAY” ( / ).

NEXT ,

→  
“+” “-”  
NEXT



”  
→  
“+” “-”  
NEXT



SU ( )

→  
“+”, “-”,

▶ DAYS CYCLE

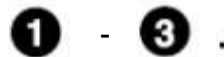
→  
“+” “-”  
[00].  
:  
2 - , 3 - 1 - 3- . . .  
NEXT



( “+” “-” 12 - AM/PM).

NEXT ( ).

2 NEXT



2, NEXT,



Manual .



NEXT.



PI & PII

100%.



“+”

“-”

NEXT

“NEXT”

3-

“+”

“-”

“+”

“-”

“OFF” (“

”).

(

).

“+”

“-”,